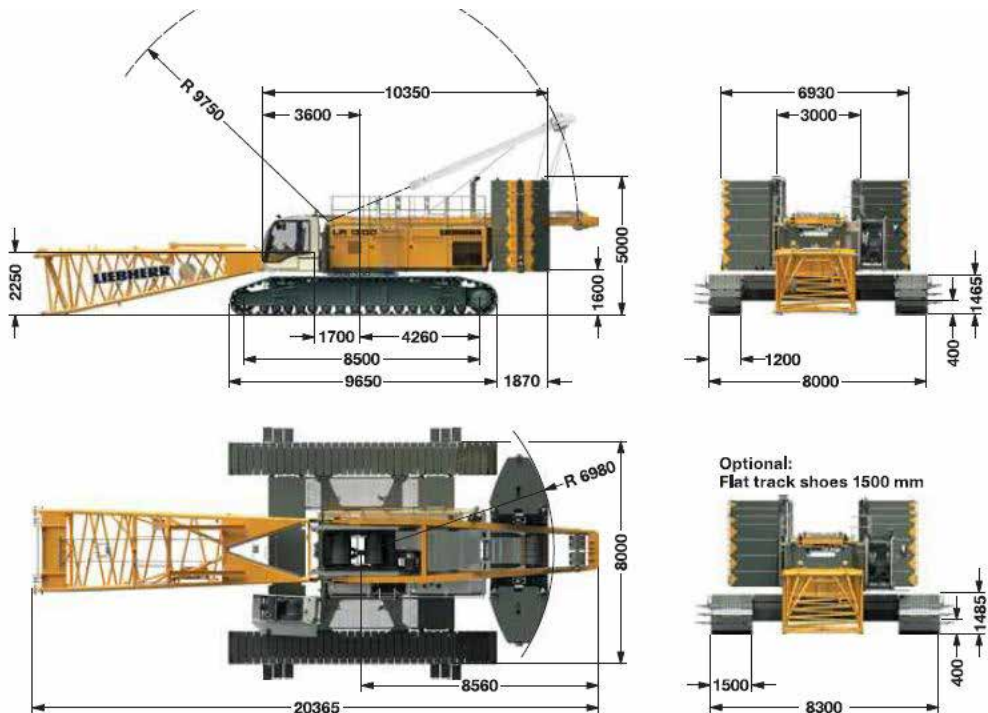




The LR 1300 convinces with high performance and very compact design. Lifting capacities up to 300 tonnes are possible thanks to its particularly solid boom and jib system. Neptune Marine offers turnkey crawler cranes, available for charter on various pontoons.

**Liebherr LR 1300-1 SX | Crawler crane**

INFORMATION	
BRAND	Liebherr
TYPE	LR 1300
BOOM LENGTH	20-74 meters
AUXILIARY JIB	Runner
WINCHES	2 x (rope Ø 28 mm)
LINE PULL	15 tons (120 kN)
ENGINE	Liebherr 450 kW (603 HP) @ 1900 rpm
FEATURES	
A/C	Yes
SELF-ERECT	Yes
FREE-FALL ON WINCHES	Optional
CAMERA	Yes
TRACKS	Flat pads tractor type 1500 mm



**Load capacities with 104t rear counterweight and 57t carbody counterweight**

Radius [m]	Boom length [m]														Radius [m]	
	20	23	26	32	38	44	50	56	62	68	74	80	83	86		
	[t]	[t]	[t]	[t]	[t]	[t]	[t]	[t]	[t]	[t]	[t]	[t]	[t]	[t]	[t]	
4.3	300.5															4.3
5	300.5	296.3	299.6													5
6	262.9	260.0	256.1	245.5	236.5	213.4										6
7	225.5	225.3	222.0	215.8	206.9	198.3	189.3	169.3								7
8	195.9	195.7	195.2	191.1	184.6	178.4	168.6	161.3	151.1	135.3						8
9	172.9	172.8	172.2	171.8	166.0	160.2	152.7	145.0	137.8	131.1	118.7	103.1	95.6	88.9		9
12	126.8	126.7	126.2	125.8	122.6	117.3	112.1	107.4	102.8	98.5	94.4	90.5	87.5	83.3		12
14	107.0	106.9	106.5	106.1	102.8	98.7	94.7	91.0	87.3	83.9	80.5	77.4	75.8	74.3		14
16	89.2	89.3	89.2	89.1	88.1	84.8	81.5	78.5	75.5	72.6	69.8	67.1	65.8	64.5		16
20	65.2	65.5	65.4	65.3	64.8	64.5	63.1	60.8	58.5	56.4	54.2	52.2	51.1	50.1		20
24		50.8	50.8	50.8	50.3	49.9	49.3	48.8	47.1	45.3	43.5	41.8	40.9	40.0		24
26			45.3	45.4	44.9	44.5	43.9	43.4	42.6	41.0	39.3	37.7	36.9	36.0		26
32				33.7	33.4	33.0	32.4	31.8	31.2	30.6	29.5	28.2	27.5	26.7		32
38					25.7	25.4	24.8	24.3	23.6	23.0	22.3	21.4	20.8	20.1		38
42						21.6	21.0	20.5	19.8	19.2	18.5	17.9	17.4	16.7		42
50							15.3	15.0	14.3	13.7	13.0	12.4	12.0	11.6		50
55								12.3	11.7	11.1	10.4	9.7	9.4	9.0		55
60									9.4	8.9	8.2	7.5	7.2	6.8		60
65										7.0	6.3	5.7	5.4	5.0		65
70											4.7	4.1	3.7	3.2		70
75												2.5	2.1			75

**Load capacities with 124t rear counterweight and 57t carbody counterweight**

Radius [m]	Boom length [m]															Radius [m]	
	20	23	26	32	38	44	50	56	62	68	74	80	83	86	89		92
	[t]	[t]	[t]	[t]	[t]	[t]	[t]	[t]	[t]	[t]	[t]	[t]	[t]	[t]	[t]	[t]	
6.4							189.3									6.4	
7							189.3	169.3								7	
8					184.6	178.4	168.6	161.3	151.1	135.3						8	
9					166.0	160.2	154.1	146.1	138.5	131.7	118.7	103.1	95.6	88.9		9	
10			161.2	156.5	152.3	145.7	139.9	134.5	127.6	120.2	111.8	101.7	95.6	88.9	83.5	78.3	10
12	136.7	136.7	134.7	132.8	127.3	124.0	119.6	113.5	108.4	103.5	97.8	91.8	87.5	83.3	79.3	75.4	12
14	115.5	115.5	115.0	112.8	110.3	106.2	102.8	99.0	94.1	89.0	84.1	81.3	79.4	77.1	75.0	71.7	14
16	99.5	99.5	99.1	98.2	95.6	93.5	89.6	86.2	82.8	78.9	73.9	71.3	69.5	67.5	65.9	63.9	16
20	74.2	74.5	74.4	74.3	73.8	73.2	71.3	68.8	65.4	61.8	59.1	57.4	56.3	54.5	53.3	51.4	20
24		58.0	58.0	58.0	57.5	57.1	56.5	56.0	54.0	51.0	48.6	46.8	45.8	44.4	43.4	42.2	24
26			51.9	52.0	51.5	51.1	50.5	50.0	49.3	46.6	44.8	43.0	41.8	40.6	39.5	38.4	26
32				38.9	38.6	38.2	37.6	37.0	36.4	35.8	35.0	33.5	32.8	31.9	31.0	30.1	32
38					30.0	29.7	29.1	28.6	27.9	27.3	26.6	25.9	25.3	24.6	24.0	23.3	38
44						23.6	23.1	22.6	21.9	21.3	20.5	19.9	19.6	19.2	18.6	18.0	44
50							18.5	18.1	17.4	16.8	16.1	15.4	15.1	14.7	14.4	14.0	50
55								15.1	14.5	13.9	13.1	12.6	12.2	11.7	11.5	11.0	55
60									12.1	11.5	10.8	10.2	9.8	9.3	8.9	8.3	60
65										9.4	8.7	7.9	7.5	6.9	6.6	6.1	65
70											6.7	5.9	5.5	4.9	4.6	4.1	70
75												4.1	3.7	3.2	2.9	2.3	75
80													2.1				80

TLT 11959002. Above load charts are for reference only.  
For actual lift duty please refer to load chart in operator's cabin or manual.

# Liebherr LR 1300-1 SX | Crawler crane

For more information, please contact us on:  
**T** +31 (0)184 621 423 **E** info@neptunemarine.com **W** www.neptunemarine.com  
 Version: V.02

